



3-Wheel Sit Down Forklifts

36 / 48 Volt AC-Powered
3,000 / 3,500 / 4,000 lbs. Capacities | Cushion Tire

MAIN TRUCK SPECIFICATIONS

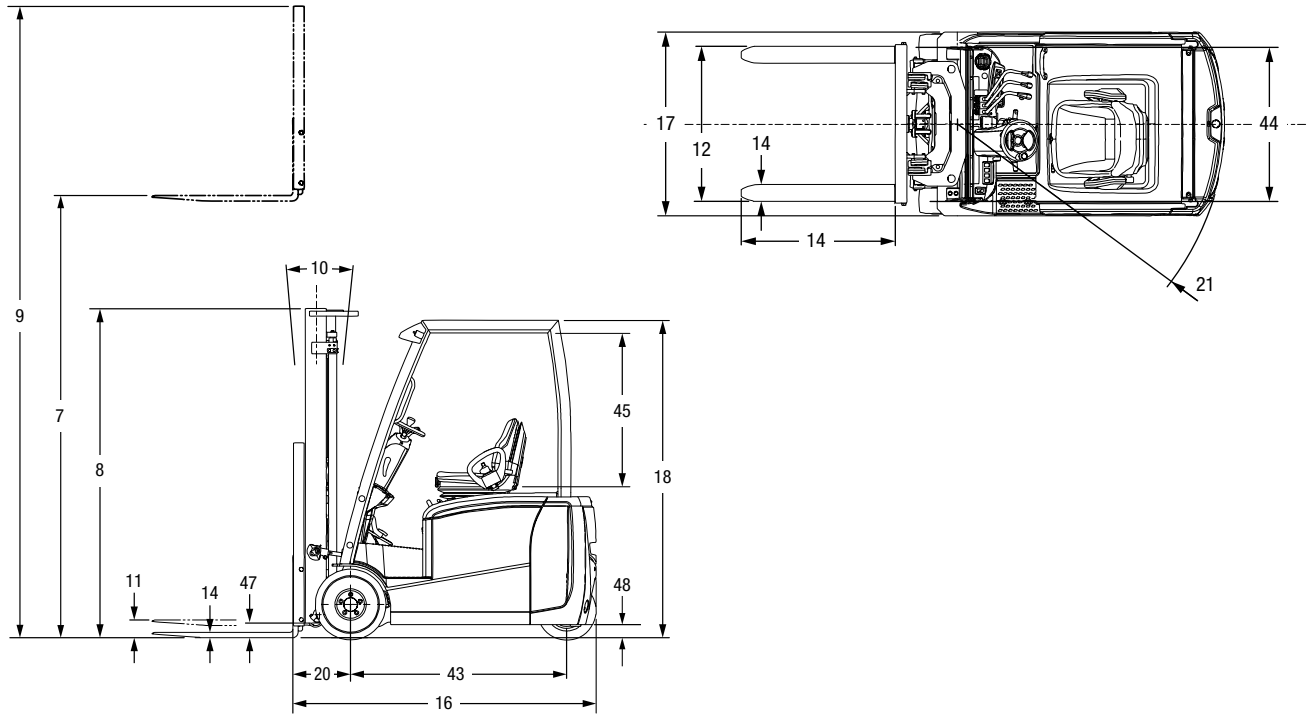
CHARACTERISTICS	Model designation			TX30M	TX35M	TX40M	
	1	Model	Model designation				
2	Rated Load Capacity	At 24" (600mm) load center	lb (kg)	3000 (1350)	3500 (1550)	4000 (1800)	
3	Power Type	Electric	voltage	36 / 48	36 / 48	36 / 48	
4	Operator Orientation			Sit Down	Sit Down	Sit Down	
5	Tire Type	Front & rear		Cushion	Cushion	Cushion	
6	Wheels	Number front / rear (x=driven)		2x / 2	2x / 2	2x / 2	
DIMENSIONS	7	Mast	Maximum fork height (MFH)	in (mm)	130 (3300)	130 (3300)	130 (3300)
	8		Mast height lowered (OHL)	in (mm)	84.0 (2135)	84.0 (2135)	84.0 (2135)
	9		Mast height extended with LBR	in (mm)	178.0 (4525)	178.0 (4525)	178.0 (4525)
	10		Mast tilt - fwd/back	degree	5°F / 7.5°B	5°F / 7.5°B	5°F / 7.5°B
	11		Standard freelif	in (mm)	3.0 (75)	3.0 (75)	3.0 (75)
	12		Standard carriage width	in (mm)	37 (940)	37 (940)	37 (940)
	13		Fork carriage Class (ANSI B56.11.4)		ITA Class II	ITA Class II	ITA Class II
	14	Forks	Length x thickness x width	in (mm)	42 x 1.4 x 3.9 (1070 x 35 x 100)		42 x 1.6 x 3.9 (1070 x 40 x 100)
	15		Fork spread-min. / max. outside width	in (mm)	9.5 / 36.2 (240 / 920)	9.5 / 36.2 (240 / 920)	9.5 / 36.2 (240 / 920)
	16	Overall Dimensions	Length (to face of forks)	in (mm)	72.8 (1850)	77.1 (1960)	78.1 (1985)
	17		Width (standard tires)	in (mm)	42.9 (1095)	42.9 (1095)	42.9 (1095)
	18		Height - top of OHG	in (mm)	80.7 (2055)	80.7 (2055)	80.7 (2055)
PERFORMANCE	19	Grade Clearance Angle	Approach / breakover / departure	degree	23.9 / 8.5 / 90.0	23.9 / 7.8 / 90.0	23.9 / 7.8 / 90.0
	20	Front Overhang	Long distance, axle to fork face	in (mm)	14.7 (375)	14.7 (375)	15.3 (390)
	21	Turning Radius	Minimum outside	in (mm)	58.1 (1480)	62.4 (1590)	62.8 (1600)
	22	Min Right Angle Stack	Add load length & clearance	in (mm)	72.8 (1855)	77.1 (1965)	78.1 (1990)
	23	Speeds Maximum	Travel - loaded	mph (km/h)	10.0 (15)	10.0 (15)	10.0 (15)
	24		Travel - unloaded	mph (km/h)	10.0 (15)	10.0 (15)	10.0 (15)
	25		Lift - loaded (36V)	fpm (mm/sec)	78.7 (400)	68.9 (350)	66.9 (340)
	26		Lift - unloaded (36V)	fpm (mm/sec)	110.2 (560)	110.2 (560)	110.2 (560)
	27		Lift - loaded (48V)	fpm (mm/sec)	98.4 (500)	86.6 (440)	78.7 (400)
	28		Lift - unloaded (48V)	fpm (mm/sec)	118.1 (600)	118.1 (600)	118.1 (600)
WEIGHT	29		Lowering - loaded	fpm (mm/sec)	102.4 (520)	102.4 (520)	102.4 (520)
	30		Lowering - unloaded	fpm (mm/sec)	98.4 (500)	98.4 (500)	98.4 (500)
	31	Drawbar Pull Maximum	5-minute rating - unloaded [36v]	lb (N)	2068 (9200)	2059 (9160)	2046 (9100)
	32		5-minute rating - unloaded [48v]	lb (N)	2857 (12710)	2851 (12680)	2835 (12610)
	33	Gradeability Maximum	Loaded - 1 mph (1.6 km/h) [36v]	%	13	12	11
	34		Loaded - 1 mph (1.6 km/h) [48v]	%	27	25	23
	35		Unloaded [36v]	%	30	28	26
	36		Unloaded [48v]	%	35	35	35
CHASSIS & WHEELS	37	Truck Weight	Empty, min. battery	lb (kg)	6826 (3095)	7171 (3255)	7756 (3520)
	38	Weight Distribution	Front axle - empty, min. battery	lb (kg)	3313 (1505)	3462 (1570)	3553 (1610)
	39		Rear axle - empty, min. battery	lb (kg)	3514 (1595)	3709 (1680)	4203 (1905)
	40		Front axle - full, min. battery	lb (kg)	8743 (3965)	9433 (4280)	10370 (4705)
	41		Rear axle - full, min. battery	lb (kg)	1083 (490)	1239 (560)	1386 (630)
	42	Tire Size	Front / rear (cushion tires)		18 x 7 - 12.125 / 15 x 5 x 11.25		
	43	Wheelbase		in (mm)	50.6 (1285)	54.9 (1395)	54.9 (1395)
	44	Thread - Center of Tire	Front / rear (cushion tires)		in (mm)	35.9 / 6.9 (912 / 174)	35.9 / 6.9 (912 / 174)
	45	Headroom	SIP to bottom of OHG		in (mm)	38.0 (965)	38.0 (965)
	46	Step Height			in (mm)	18.0 (455)	18.0 (455)
MOTORS	47	Ground Clearance	Under mast	in (mm)	3.7 (95)	3.7 (95)	3.7 (95)
	48		Under frame, center of wheelbase	in (mm)	3.3 (85)	3.3 (85)	3.3 (85)
	49	Service Brake	Type		Mechanical / Hydraulic	Mechanical / Hydraulic	Mechanical / Hydraulic
	50	Parking Brake	Type		Electric	Electric	Electric
	51	Motor Controllers	Controller type		AC Transistor	AC Transistor	AC Transistor
	52	Traction Motor	Rating x # of motors (60 min. rating)	HP (kW/h)	6.0 x 2 (4.5 x 2)	6.0 x 2 (4.5 x 2)	6.0 x 2 (4.5 x 2)
	53	Pump Motor	Rating (15% rating)	HP (kW)	15.4 (10)	15.4 (10)	15.4 (10)
	54	Maximum Battery Size	"X" - Maximum	in (mm)	39.6 / (1005)	39.6 / (1005)	39.6 / (1005)
BATTERY	55		"Y" - Maximum	in (mm)	20.8 (525)	25.1 (635)	25.1 (635)
	56		"Z" - Maximum	in (mm)	24.8 (630)	24.8 (630)	24.8 (630)
	57		Capacity at 6 hr. discharge rate (36v)	Ah (kW/h)	880 (31.7)	1100 (39.6)	1100 (39.6)
	58		Capacity at 6 hr. discharge rate (48v)	Ah (kW/h)	660 (31.7)	770 (37.0)	770 (37.0)
	59	Weight	Minimum	lb (kg)	1910 (865)	2200 (1000)	2200 (1000)
	60		Maximum	lb (kg)	2400 (1090)	2700 (1225)	2700 (1225)
	61	Lead Length	Position B, SB-350 gray connector		in (mm)	20.0 (510)	20.0 (510)
	62	Battery Floor Height	Without rollers / with optional rollers		in (mm)	8.1 (205)	8.1 (205)
	63	Attachment	Max. operating hydraulic pressure		psi (Mpa)	2625 (18.1)	2625 (18.1)

MAST SPECIFICATIONS & RATED CAPACITIES

	Maximum Fork Height	Overall Height				Free Lift		Tilt Angle	Rated Capacity at 24" Load Center*			
		Lowered	Fully Extended		FL		Cushion Tire					
			MFH	OHL	With LBR	Without LBR	With LBR		Without LBR	TX30M	TX35M	TX40M
					in (mm)	in (mm)	in (mm)		in (mm)			
SIMPLEX (Wide View)	78.0 (1980)	59.0 (1500)	126.0 (3205)	103.0 (2620)	3.0 (75)	3.0 (75)	5 / 5	3000 (1350)	3500 (1550)	4000 (1800)		
	100.0 (2535)	70.0 (1780)	148.0 (3760)	125.0 (3180)	3.0 (75)	3.0 (75)	5 / 5	3000 (1350)	3500 (1550)	4000 (1800)		
	108.0 (2740)	74.0 (1885)	156.0 (3965)	133.0 (3380)	3.0 (75)	3.0 (75)	5 / 7.5	3000 (1350)	3500 (1550)	4000 (1800)		
	118.0 (2995)	78.0 (1985)	166.0 (4220)	143.0 (3635)	3.0 (75)	3.0 (75)	5 / 7.5	3000 (1350)	3500 (1550)	4000 (1800)		
	130.0 (3300)	84.0 (2135)	178.0 (4525)	155.0 (3940)	3.0 (75)	3.0 (75)	5 / 7.5	3000 (1350)	3500 (1550)	4000 (1800)		
	138.0 (3500)	89.0 (2265)	186.0 (4725)	163.0 (4145)	3.0 (75)	3.0 (75)	5 / 7.5	3000 (1350)	3500 (1550)	4000 (1800)		
	146.0 (3705)	94.0 (2390)	194.0 (4930)	171.0 (4345)	3.0 (75)	3.0 (75)	5 / 7.5	3000 (1350)	3500 (1550)	4000 (1800)		
	161.0 (4085)	102.0 (2595)	209.0 (5310)	186.0 (4725)	3.0 (75)	3.0 (75)	5 / 7.5	3000 (1350)	3500 (1550)	4000 (1800)		
	176.0 (4465)	110.0 (2795)	224.0 (5695)	201.0 (5110)	3.0 (75)	3.0 (75)	5 / 5	3000 (1350)	3500 (1550)	4000 (1800)		
	196.0 (4975)	120.0 (3050)	244.0 (6200)	221.0 (5615)	3.0 (75)	3.0 (75)	5 / 5	2950 (1300)	3400 (1550)	3850 (1700)		
216.0 (5485)	130.0 (3305)	264.0 (6710)	241.0 (6125)	3.0 (75)	3.0 (75)	5 / 3.5	2800 (1275)	3250 (1450)	3500 (1550)			
236.0 (5990)	140.0 (3560)	284.0 (7215)	261.0 (6630)	3.0 (75)	3.0 (75)	5 / 3.5	2550 (1175)	2825 (1250)	3000 (1350)			
DUPLEX (Full Free)	110.0 (2790)	75.0 (1910)	158.0 (4015)	135.0 (3430)	24.0 (605)	49.0 (1240)	5 / 6	3000 (1350)	3500 (1550)	4000 (1800)		
	118.0 (2995)	78.0 (1985)	166.0 (4220)	143.0 (3635)	28.0 (710)	53.0 (1345)	5 / 6	3000 (1350)	3500 (1550)	4000 (1800)		
	130.0 (3300)	84.0 (2135)	178.0 (4525)	155.0 (3940)	34.0 (860)	59.0 (1495)	5 / 6	3000 (1350)	3500 (1550)	4000 (1800)		
	138.0 (3500)	89.0 (2265)	186.0 (4725)	163.0 (4145)	38.0 (960)	63.0 (1595)	5 / 6	3000 (1350)	3500 (1550)	4000 (1800)		
	145.0 (3680)	94.0 (2390)	193.0 (4905)	170.0 (4320)	44.0 (1115)	69.0 (1750)	5 / 6	3000 (1350)	3500 (1550)	4000 (1800)		
	158.0 (4010)	102.0 (2595)	206.0 (5235)	183.0 (4650)	51.0 (1290)	76.0 (1925)	5 / 6	3000 (1350)	3500 (1550)	4000 (1800)		
TRIPLEX (Full Free)	146.0 (3705)	71.0 (2370)	194.0 (4930)	171.0 (4345)	20.0 (505)	45.0 (1140)	5 / 6	3000 (1350)	3500 (1550)	4000 (1800)		
	157.0 (3985)	75.0 (2555)	205.0 (5210)	182.0 (4625)	24.0 (605)	49.0 (1240)	5 / 6	3000 (1350)	3500 (1550)	4000 (1800)		
	170.0 (4315)	78.0 (2810)	218.0 (5540)	195.0 (4955)	28.0 (710)	53.0 (1345)	5 / 6	3000 (1350)	3500 (1550)	4000 (1800)		
	187.0 (4745)	84.0 (3055)	235.0 (5970)	212.0 (5390)	34.0 (860)	59.0 (1495)	5 / 6	3000 (1350)	3500 (1550)	3950 (1750)		
	200.0 (5075)	89.0 (2265)	248.0 (6300)	225.0 (5720)	38.0 (960)	63.0 (1595)	5 / 3.5	2900 (1300)	3450 (1550)	3850 (1700)		
	216.0 (5485)	94.0 (2390)	264.0 (6710)	241.0 (6125)	44.0 (1115)	69.0 (1750)	5 / 3.5	2800 (1250)	3250 (1450)	3525 (1550)		
	235.0 (5965)	102.0 (2595)	283.0 (7190)	260.0 (6605)	51.0 (1290)	76.0 (1925)	5 / 3.5	2500 (1150)	2800 (1250)	3075 (1375)		
	255.0 (6475)	112.0 (2850)	303.0 (7700)	280.0 (7115)	61.0 (1545)	86.0 (2180)	5 / 3.5	2100 (975)	2400 (1070)	2600 (1150)		
	275.0 (6980)	120.0 (3050)	323.0 (8205)	300.0 (7625)	69.0 (1750)	94.0 (2385)	5 / 3.5	1700 (800)	1950 (850)	2075 (900)		
QUAD (Full Free)	222.5 (5650)	78.5 (1995)	270.5 (6875)	247.5 (6290)	53.0 (1345)	75.0 (1900)	5 / 3.5	Consult Factory				
	240.5 (6105)	83.0 (2110)	288.5 (7330)	265.5 (6745)	57.0 (1445)	79.0 (2005)	5 / 3.5	Consult Factory				
	258.5 (6565)	89.0 (2265)	306.5 (7790)	283.5 (7205)	63.0 (1595)	85.0 (2155)	5 / 3.5	Consult Factory				

*Capacities based on cushion tire. Consult factory for capacity information for solid pneumatic tires.

DIMENSIONS



UniCarriers® is a registered trademark of UniCarriers Corporation. UniCarriers Americas Corporation reserves the right to make product changes relating to colors, equipment, specifications or available options without notice. For more information, contact your UniCarriers representative.

UNI CARRIERS
FORKLIFT